



Alfa Laval Heating insulation

Accessories gasketed plate-and-frame heat exchangers

Introduction

Alfa Laval heating insulation is used to thermally insulate gasketed-plate-and-frame heat exchangers with operating temperatures up to 180°C (356°F). The insulation saves energy and provides protection against the heat of the plate pack. It also assures a dry and comfortable working climate in the operating room.

Applications

- HVAC and Refrigeration

Benefits

- Saves energy
- Plate pack heat protection
- Easytoinstall

Design

Alfa Laval Heating insulation is available for most of the heat exchangers in the Industrial line and the Industrial semi-welded line. The heating insulation sections (panels) are designed to ensure simple assembly and disassembly. The panels are equipped with connecting spring locks in galvanized steel or fixed together using screws.

Selection

To be able to make a quotation, please specify:

- Frame type
- A-measurement
- Tightening bolt length
- Type of connections
- Connection positions



Technical data

Product	AQ2, AQ2L, AQ2S, AQ3, AQ4, AQ4L, AQ6, AQ6L, AQ8, AQ8S, AQ10, AQ10T, AQ14L	AQ1A, AQ1, AQ1L, AQ2A
Cladding	Aluminium stucco sheet 1 mm (0.039 in)	Aluminium stucco sheet 1 mm (0.039 in)
Insulation	Mineral wool 65 mm (2.56 in)	Mineral wool 40 mm (1.57 in)
Inside layer	Aluminium foil 0.05 mm (0.002 in)	Aluminium foil 0.05 mm (0.002 in)
Panel fixation	Snap locks	Screws

Approximate dimension

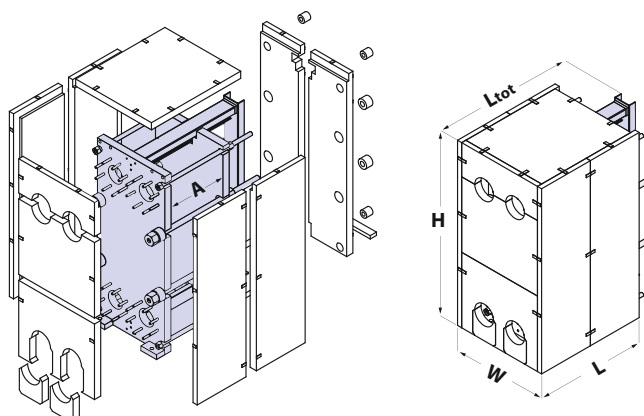
The table shows maximum dimensions and might be smaller. For exact measurements please use the sales configurator tool. Measurements in mm (inch).

Product	L ¹	W	H
AQ1A-FG ²	LC + 130 (5.12)	260 (10.24)	380 (14.96)
AQ1-FG ³	LTB + 175 (6.89)	260 (10.24)	520 (20.47)
AQ1L-FG ²	LC + 140 (5.51)	270 (10.63)	830 (32.68)
AQ2A-FG ²	LTB + 135 (5.31)	380 (14.96)	770 (30.31)
AQ2-FM, AQ2-FG, AQ2-FD	A + 225 (8.86)	450 (17.72)	925 (36.42)
AQ2L-FM, AQ2L-FG, AQ2L-FD	A + 360 (14.17)	490 (19.29)	1320 (51.97)
AQ2S-FG, AQ2S-FD	A + 300 (11.81)	445 (17.52)	760 (29.92)
AQ3-FM, AQ3-FG	A + 350 (13.78)	550 (21.65)	925 (36.42)
AQ4-FM, AQ4-FG, MAQ4-FD	A + 490 (19.29)	600 (23.62)	1095 (43.11)
AQ4-FX	A + 595 (23.42)	1190 (46.85)	1185 (46.65)
AQ4L-FM	A + 390 (15.35)	630 (24.80)	2000 (78.74)
AQ4L-FG, AQ4L-FD	A + 420 (16.53)	630 (24.80)	2100 (82.68)
AQ4L-FS	A + 460 (18.11)	660 (25.98)	2100 (82.68)
AQ6-FM	A + 370 (14.57)	740 (29.13)	1975 (77.75)
AQ6-FG, AQ6-FD	A + 510 (20.08)	820 (32.28)	1975 (77.75)
AQ6L-FM	A + 360 (14.17)	760 (29.92)	2775 (109.25)
AQ6L-FG, AQ6L-FD, AQ6L-FS	A + 530 (20.87)	820 (32.28)	2775 (109.25)
AQ8-FG	A + 460 (18.11)	920 (36.22)	2200 (86.61)
AQ8-FD, AQ8-FS	A + 560 (22.05)	920 (36.22)	2235 (87.99)
AQ8S-FM	A + 460 (18.11)	870 (34.25)	1430 (56.30)
AQ8S-FG	A + 460 (18.11)	930 (36.61)	1430 (56.30)
AQ8S-FS	A + 600 (23.62)	960 (37.80)	1525 (60.04)
AQ10-FG, AQ10-FD, AQ10-FS	A + 580 (22.83)	1070 (45.13)	3050 (125.98)
AQ10-FMS, AQ10-FGS	A + 490 (19.29)	1070 (45.13)	2670 (105.12)
AQ10T-FG	A + 520 (20.47)	1070 (42.13)	2721 (107.12)
AQ10T-FD	A + 600 (23.62)	1090 (42.91)	2775 (109.25)
AQ10T-FS	A + 640 (25.20)	1090 (42.91)	2775 (109.25)
AQ14L-FM, AQ14L-FG	A + 615 (24.21)	1310 (51.57)	3190 (125.59)
AQ14L-FD, AQ14L-FS	A + 710 (27.95)	1320 (51.97)	3210 (126.38)

¹ L = A + total insulation measure

² L = Ltot (the complete heat exchanger inside the insulation)

³ L = Ltot (the complete heat exchanger inside the insulation)



For actual heat exchanger measurements see PHE drawing

A = Plate pack length

C = Total length

LC = Length of carrying bar

LTB = Length of tightening bolt

Ltot = C + 0.5 insulation measure

This document and its contents is owned by Alfa Laval Corporate AB and protected by laws governing intellectual property and thereto related rights. It is the responsibility of the user of this document to comply with all applicable intellectual property laws. Without limiting any rights related to this document, no part of this document may be copied, reproduced or transmitted in any form or by any means (electronic, mechanical, photocopying, recording, or otherwise), or for any purpose, without the expressed permission or authorized by Alfa Laval Corporate AB. Alfa Laval Corporate AB will enforce its rights related to this document to the fullest extent of the law, including the seeking of criminal prosecution.

200000040-2-EN-GB

© Alfa Laval Corporate AB

How to contact Alfa Laval

Up-to-date Alfa Laval contact details for all countries are always available on our website at www.alfalaval.com